



ACF

**ACE CERAMIC FORMERS
SDN.BHD.**

ABOUT US

Ace Ceramics Formers Sdn. Bhd. (1414913-X) is a ceramic hand former manufacturing company founded by technical professionals with many years of working experience in the ceramic hand former industry. The company operates out of a single location in Rawang, Selangor. Our products range from:

1. Examination Hand Formers – Multiple models available
2. Pattern Exam Hand Formers – Multiple patterns (Diamond Pattern, Fish scale, etc.)
3. Surgical Hand Formers – Multiple models available
4. Household Hand Formers

EXAMINATION GLOVE FORMER / MOULD / MOLD: To produce examination, industrial and general hand gloves. Formers / Moulds can be produced in the form of textured, spray on, sand blast, glazed, unglazed, matte glazed or combination depending on customer's specifications.

We have an experienced in-house modeler and this allows us to design and develop any type of ceramic hand former to meet our customers' unique needs.

All our employees are experienced and we have ensured an appropriate amount of control measures to help us prevent defects and in turn, increase efficiency. Every ceramic former is individually inspected by our trained Quality Control inspectors before it is sent out to our customers as our top priority at ACE is customer satisfaction.

We aim to be a 'boutique' manufacturer therefore we have limited our capacity to ensure all specific customer quality requirements (specification, appearance, texture, thermal shock, corrosion resistant, water absorption, etc.) are met on a consistent basis. Our production is on a per order basis.

CONTACT DETAILS

ADDRESS

LOT 2229 & LOT 2224-8, Kampung Sungai Bakau, Rawang, 48000 Selangor.

EMAIL & WEBSITE

For further inquiries or quotation, please drop us an email.

Email : admin@aceceramicformers.com

Website : www.aceceramicformers.com

Examination Formers



EX01

SIZE	XS	S	M	L	XL
HEIGHT (mm)		380	380	380	380
PALM CIRC. (mm)		180	203	224	242
WRIST CIRC. (mm)		175	182	195	203
BEEDING CIRC. (mm)		199	203	209	220

EX02

SIZE	XS	S	M	L	XL
HEIGHT (mm)		400	400	400	400
PALM CIRC. (mm)		180	200	226	240
WRIST CIRC. (mm)		175	180	193	205
BEEDING CIRC. (mm)		199	202	207	221

EX03

SIZE	XS	S	M	L	XL
HEIGHT (mm)	400	400	400	400	400
PALM CIRC. (mm)	157	178	200	220	235
WRIST CIRC. (mm)	151	166	180	193	205
BEEDING CIRC. (mm)	176	192	202	207	215

Examination Formers



EX04

SIZE	XS	S	M	L	XL
HEIGHT (mm)	400	400	400	400	400
PALM CIRC. (mm)	180	203	224		
WRIST CIRC. (mm)	175	182	195		
BEEDING CIRC. (mm)	178	199	203		

EX05

SIZE	XS	S	M	L	XL
HEIGHT (mm)	360	360	360	360	360
PALM CIRC. (mm)	186	207	232	238	
WRIST CIRC. (mm)	166	177	192	215	
BEEDING CIRC. (mm)	186	196	203	209	

EX06

SIZE	XS	S	M	L	XL
HEIGHT (mm)	420	420	420	420	420
PALM CIRC. (mm)	157	178	200	220	235
WRIST CIRC. (mm)	151	166	180	193	205
BEEDING CIRC. (mm)	176	192	202	207	215

Surgical Hand Formers



SC001 (CURVE 400mm)

SIZE	6.0	6.5	7.0	7.5	8.0	8.5	9.0
HEIGHT (mm)	400	400	400	400	400	400	
PALM CIRC. (mm)	170	181	196	208	219	232.5	
WRIST CIRC. (mm)	142.5	152	163	171	180	197.5	
BEEDING CIRC. (mm)	180	190	197.5	205	207	209	

SC004 (CURVE 600mm)

SIZE	6.0	6.5	7.0	7.5	8.0	8.5	9.0
HEIGHT (mm)	600	600	600	600	600	600	
PALM CIRC. (mm)	170	181	196	208	219	232.5	
WRIST CIRC. (mm)	142.5	152	163	171	180	197.5	
BEEDING CIRC. (mm)	180	190	197.5	205	207	209	

SC005 (CURVE 420mm)

SIZE	6.0	6.5	7.0	7.5	8.0	8.5	9.0
HEIGHT (mm)	420	420	420	420	420	420	
PALM CIRC. (mm)	170	181	196	208	219	232.5	
WRIST CIRC. (mm)	142.5	152	163	171	180	197.5	
BEEDING CIRC. (mm)	180	190	197.5	205	207	209	

Surgical Hand Formers



SC002 (THUMBALL)

SIZE	6.0	6.5	7.0	7.5	8.0	8.5	9.0
HEIGHT (mm)	400	400	400	400	400	400	400
PALM CIRC. (mm)	170	186	199	212	225	240	
WRIST CIRC. (mm)	135	145	162	170	183	190	
BEEDING CIRC. (mm)	180	185	197	209	210	218	



SC003 (STRAIGHT)

SIZE	6.0	6.5	7.0	7.5	8.0	8.5	9.0
HEIGHT (mm)	400	400	400	400	400	400	400
PALM CIRC. (mm)	172	172	180	190	204	214	
WRIST CIRC. (mm)	155	155	166	181	199	217	
BEEDING CIRC. (mm)	180	185	197	209	210	218	

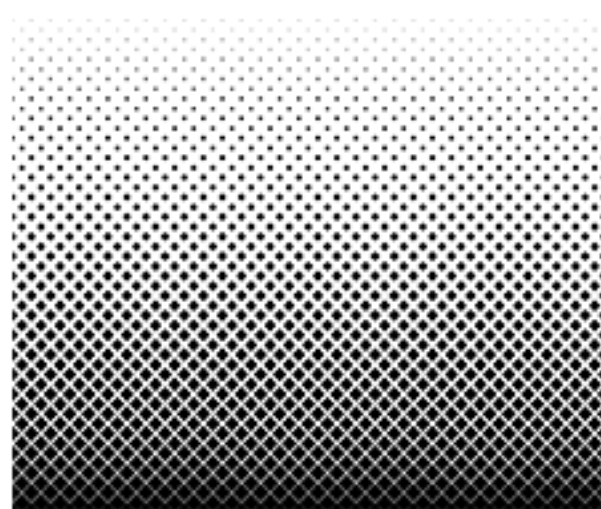
Household Formers



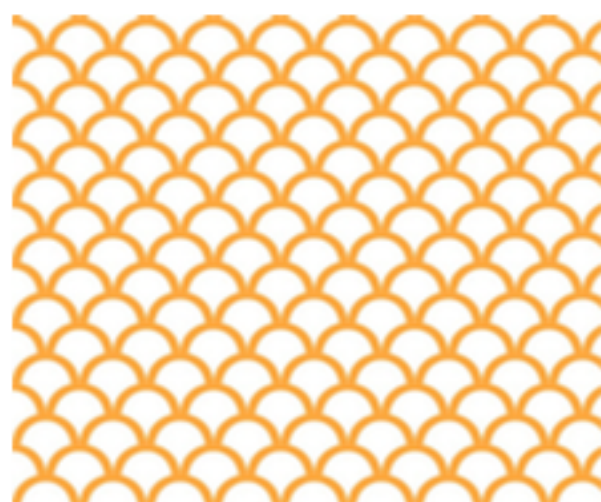
HS001

SIZE	7.0	7.5	8.0	8.5	9.0	9.5	10
HEIGHT (mm)	400		400	400	400	400	400
PALM CIRC. (mm)	222		197	216	232	253	270
WRIST CIRC. (mm)	204.5		182	204	222	237	251

PATTERNS FOR GLOVES



Diamond Pattern

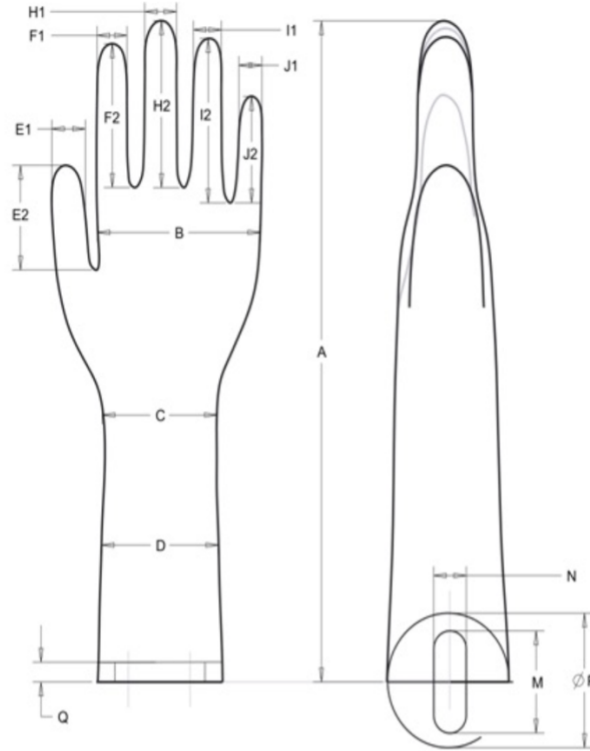


Fish Scale Pattern



Honeycomb Pattern

Former Tolerance



FEATURE		Tolerances
A	Height	+/- 4
B	Palm Circumference	+/- 3
B1	Hand Width	+/- 3
C	Wrist Circumference	+/- 3
C1	Wrist Width	+/- 3
D	Shank Circumference	+/- 3

FINGER CIRCUMFERENCE		Tolerances
E1	Thumb	+/- 2
F1	Index	+/- 2
H1	Middle	+/- 2
I1	Ring	+/- 2
J1	Little	+/- 2

FINGER LENGTH		Tolerances
E2	Thumb	+/- 2
F2	Index	+/- 2
H2	Middle	+/- 2
I2	Ring	+/- 2
J2	Little	+/- 2

OTHER		Tolerances
M	Socket Breadth	+/- 2
N	Socket Width	+/- 2
P	Base Diameter	+/- 2
Q	Base Thickness	+/- 2

Product Performance Limits	
Thermal Shock Resistance	180 °C
Water Absorption	<0.1%
Chemical Corrosion	<0.1%
Wall Thickness	+/- 1mm